

# MMC Ethernet

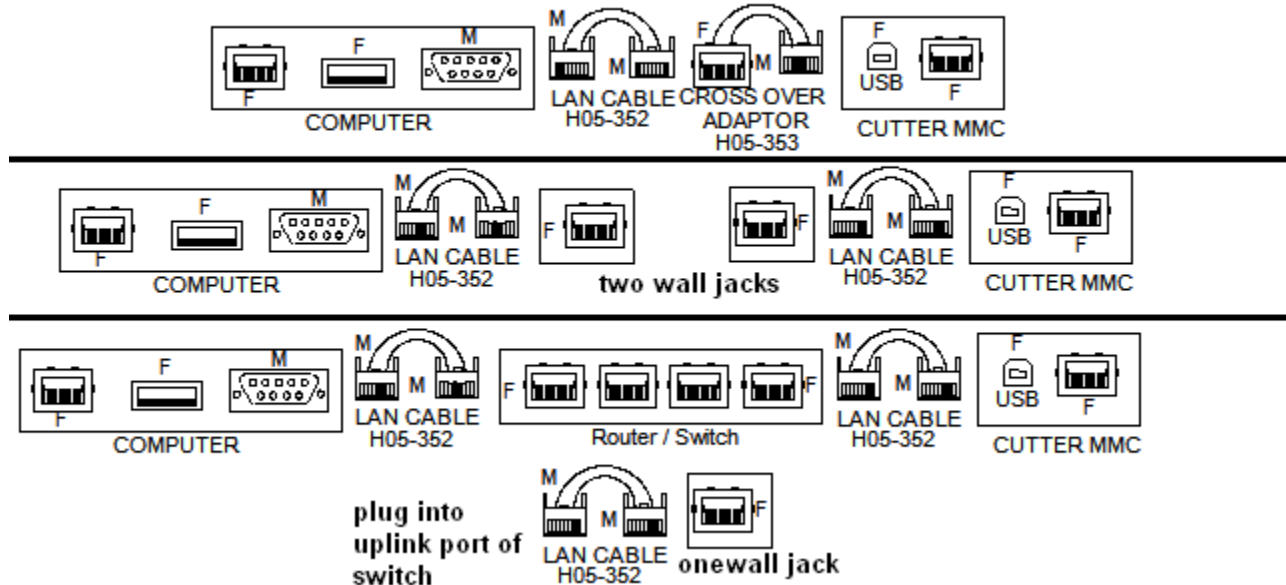
Technical Support Bulletin

## Using Ethernet on MMC cutters

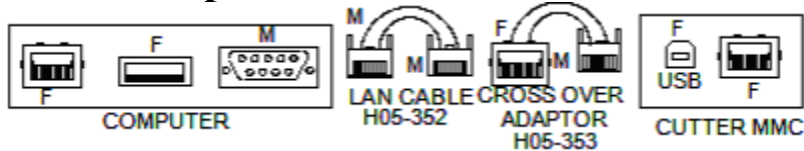
Last update 6-21-2010

Abstract: This document describes the options for using Ethernet or Lan connection between mmc cutter and a computer. There are three options. One is direct connect with crossover cable and the other is plug cutter into your network, and the third is to buy a switch and a cable and breakout a single Ethernet wall jack into more than one Ethernet port.

### Options for Connecting Computer to Cutter



## Option 1 Crossover Cable



In the first option your computer is not connected to the internet so its ok to use the Ethernet port on your computer since it is not being used. You plug the supplied Ethernet cable, connect the cross over adapter and then plug one end into your Ethernet port on your computer and one end into the Ethernet port on the cutter. The Ethernet cable can be up to 90 Meters (295 ft.). H05-352 is 25 ft and H05-361 is 14 ft. At time of this document was written we are shipping one H05-361 cable with each cutter. Since you are using a cross over adaptor your computer must be set to a static IP address of 192.168.4.2 with a subnet mask of 255.255.255.0.

### Set specified IP for PC:

#### XP instructions:

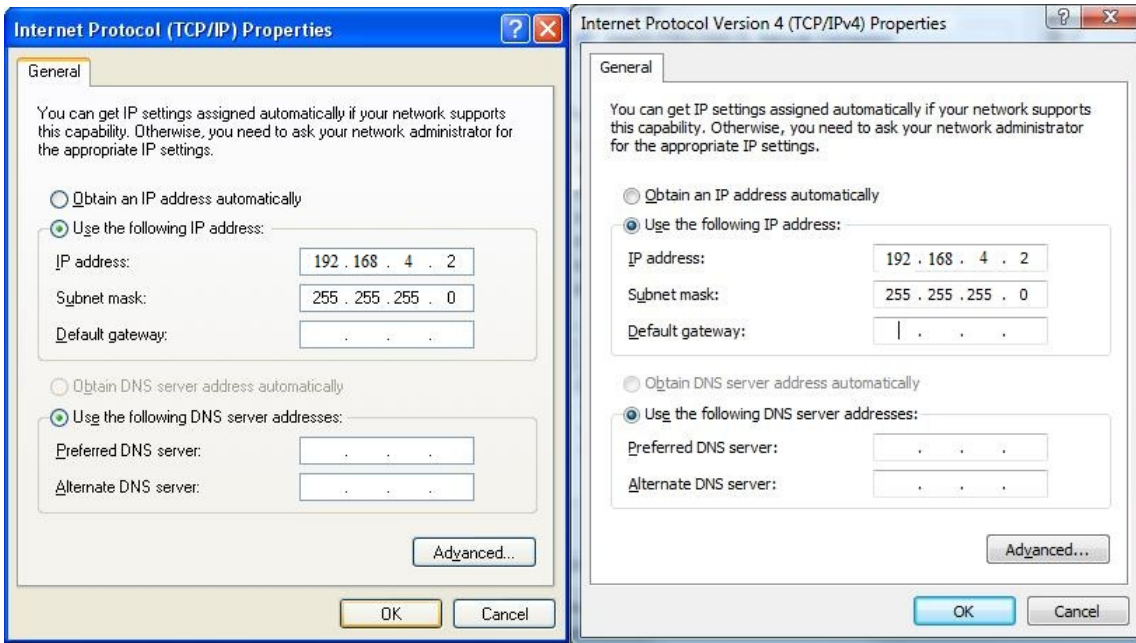
- start -> right click on My Network Places -> left click on properties
- right click on local area connection -> left click on properties
- select internet protocol (TCP/IP)
- click on properties button
- click on use following ip address
- set ip address and mask as shown on next page

#### Vista instructions:

- start -> right click on Network -> left click on properties
- left click on manage network connections
- right click on local area connection -> left click on properties
- select internet protocol version 4 (TCP/IPv4)
- click on properties button
- click on use following ip address
- set ip address and mask as shown on next page

#### Window 7 instructions:

- start -> right click on Network -> left click on properties
- left click on change adaptor settings
- right click on local area connection -> left click on properties
- select internet protocol version 4 (TCP/IPv4)
- click on properties button
- click on use following ip address
- set ip address and mask as shown below



Click on ok, then close other windows

Once setup run printer driver enable as described later.

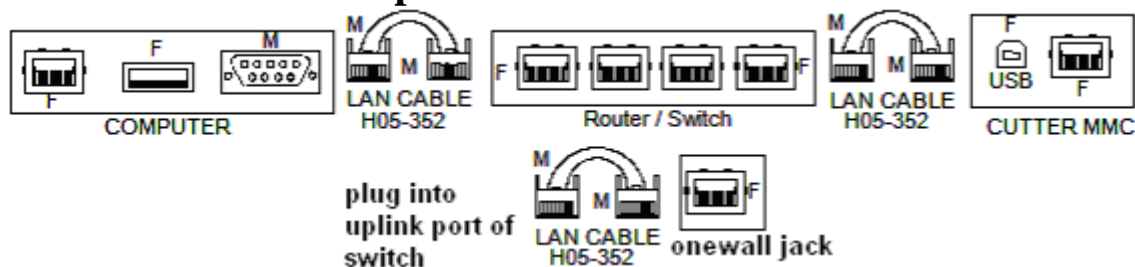
## Option 2 Two Wall Jacks



In option 2 the location you want to install has two wall jacks available to plug cutter into. Simply take the supplied cable and attach from extra wall jack to cutter Ethernet port.

Once connected run printer driver enable as described later.

## Option 3 One Wall Jack



In this option your computer is connected to the LAN and there is no place else to plug the cutter into. In this option you need to purchase an Ethernet Switch (10/100 3 or more ports) and an additional Ethernet cable. Connect the purchased cable to the uplink port of your switch and the wall jack. Then connect your computer and cutter to one of the other ports on your switch. This allows one Wall Jack to have more than one Ethernet ports. To find a suitable switch go to <http://bestbuy.com> and type in Ethernet Switch into the search box. Select under \$50 to eliminate high priced alternatives. Just about any switch listed should work satisfactorily. The cutter only need a 10 megabit port but your computer may need a 10, 100 or 1000 megabit per second port. So buy the switch that best meets the needs for your computer. Here are some SKU number that should work. 7907704, 6840341, 7650357, 7169244, 4625427, 7169164, 7717349 and 9350515.

For the cable you need a cat5e network cable for 10/100 megabit per second or a cat6 cable for 1000 megabit per second. You can purchase a cat5e cable from Allen Datagraph (603-216-6344) H05-352 is 25 ft and H05-361 is 14 ft or Bestbuy sku numbers 9737423, 9695666, 9695611, 9695611.

## **Static IP for cutter**

The cutter from the factory is set for DHCP (dynamic host configuration protocol) which assigns an IP address to the cutter from the DHCP server that is on your local network. If there is no DHCP server on the network a static IP address of 192.168.4.10 is used. Normally you do not have to change the settings for IP address in any of the above configurations. However if your router does not keep the same IP address to Mac address your cutter may get a different IP address each time it is powered up. If you have trouble with the IP address of your cutter changing you need to obtain a static IP address from your network administrator and enter it into the cutter using diagnostic 4. See users manual for your machine.

## **Printer Driver Enable**

Once connected you must get the printer driver to send data to the Ethernet port and install a driver on your computer for the cutter. If you have already installed software on your computer click on start -> all programs -> Allen Datagraph -> Cutter Driver -> Enable Printer Driver and answer yet to question Do you want to do auto print driver installation. This should install a printer driver on the Ethernet port. For the remote panel start by clicking on the icon on your desktop. Click on setup -> com port -> Lan. Select your cutter from the drop down list and click on OK.

If you have not installed software on your computer you can run the installation CD that came with the cutter and it will install the software on your machine.